

Extreme Series Cameras

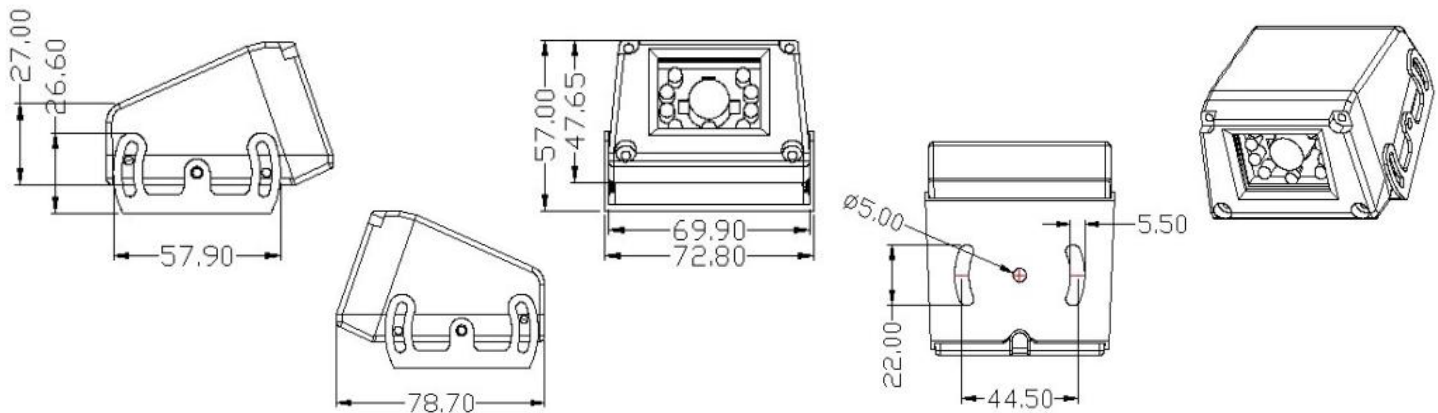
1600SD



Model Number	1600SD
Description	Surface Mount Side Camera
Color Available	Black
Connection Type	Locking Connector
Waterproof	IP69K
Power Consumption (IR on)	0.84W
Power Consumption (IR off)	0.72W
Product Size	(As below drawing)

SPECIFICATIONS

Sensor	1/4 Sharp CCD	
Resolution	510x492	
Lens	Horizontal	f = 2.5mm
Lens Angle	Vertical	85°
		65°
Night Vision Distance	27 ft	
Minimum Illumination	0 Lux (LED ON)	
IR LED	7 pc	
Waterproof	IP69K	
Power Volatage	12V	
Operation Temp	-20°V~+70°C	
Video Format	PAL/NTSC	
MirrorSwitch	/	
Audio	Available	
Heat Chip	/	
IR Switch	/	



CONVOY TECHNOLOGIES
See Everything

Rev 08/21

See Durability See Quality *See Everything* See Performance See Durability See Quality *See Everything* See Performance See Quality See Durability

Call: Toll Free 888.565.2583 **Email:** sales@convoytechnologies.com **Visit:** www.convoytechnologies.com